

## CME Booster



TM046620 0610

### General description

The Grundfos CME Booster is a compact booster set for water supply in domestic applications. The integrated speed controller enables the CME Booster to keep constant pressure in the pipe system. A pressure sensor monitoring changes in the water consumption will signal to the speed controller to change the motor speed to adapt performance to the new situation.

The CME Booster is very easy to install. When the booster has been connected to the pipework, it is all a matter of plugging the plug into a socket, and the system is operational.

The CME Booster consists of these components:

- CME pump with integrated frequency converter
- 5-way fitting with non-return valve
- diaphragm tank
- pressure gauge
- pressure sensor.

### Features

- Constant pressure via integrated speed control
- compact
- robust, stainless steel
- easy installation
- dry-running protection
- low noise, 55 dBA.

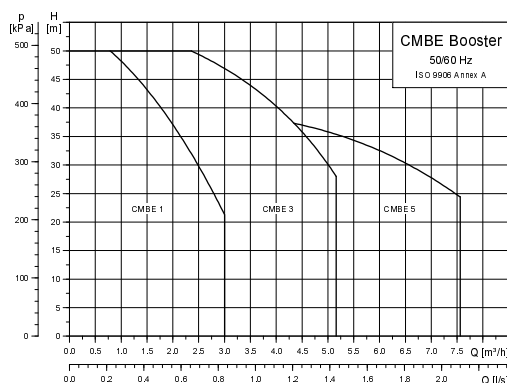
### Applications

Grundfos CME Booster is mainly used for domestic and light commercial water supply or booster systems.

Application	CME 1	CME 3	CME 5
Single-family houses	●	●	○
Two-family houses	○	●	●
Cluster homes		●	●
Blocks of flats		●	●
Schools		●	●
Small hotels/guest houses		●	●
Small office buildings		●	●

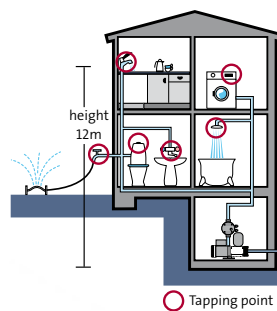
● Recommended

### Performance range



TM04 5817 0410

### Selection guide



**Ex. Sizing & Selection.**  
**A: Required comfort level**  
 - Adjustable, constant pressure  
**B: Find the right booster**  
 - How many taps? 6 taps  
 - How many floors? 3 floors.

**Result: CMBE 3-3**

Taps Floors	1-5	6-10	11-20	21-50
4	CMBE 3-4	CMBE 3-4	CMBE 3-4	
3	CMBE 3-3	CMBE 3-3	CMBE 3-4	CMBE 5-3
2	CMBE 1-4	CMBE 3-3	CMBE 3-3	CMBE 3-4
1	CMBE 1-4	CMBE 1-4	CMBE 3-3	CMBE 3-4

#### Pump sizing

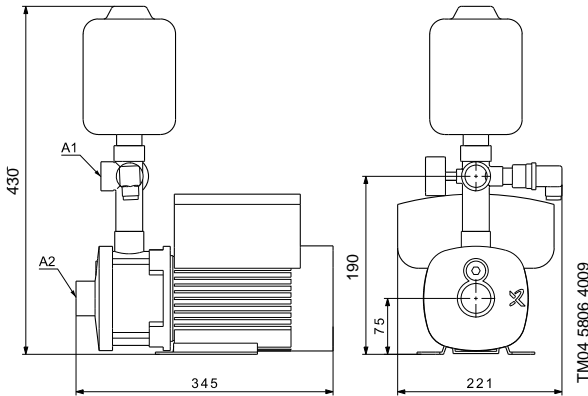
Taps Floors	1-5	6-10	11-20	21-50
4	CMBE 3-4	CMBE 3-4	CMBE 3-4	
3	CMBE 3-3	CMBE 3-3	CMBE 3-4	CMBE 5-3
2	CMBE 1-4	CMBE 3-3	CMBE 3-3	CMBE 3-4
1	CMBE 1-4	CMBE 1-4	CMBE 3-3	CMBE 3-4

TM04 5831 0510

#### Preconditions:

- 3 bar tap pressure is considered, to achieve 4 bar pressure add 2 more floors
- Flooded Suction. 00.5 l/s per tap average, usage pattern is taken into account
- Grundfos cannot be held responsible for wrong sizing based on this guide

### Dimensional drawings



### Technical data

Product no.		Pump type	Thread [RP]		Voltage [V]	I <sub>1/1</sub> [A]	P <sub>1</sub> [W]	Plug type
English*	EU*		A1	A2				
97529685	97755481	CMBE 1-4	1"	1"	1x 200-240	4.1-3.4	685	Schuko
97529686	-	CMBE 1-4	1"	1"	1x 200-240	4.1-3.4	685	AUS
97529687	-	CMBE 1-4	1"	1"	1x 200-240	4.1-3.4	685	USA
97529688	97755482	CMBE 1-4	1"	1"	1x 200-240	4.1-3.4	685	-
97529689	97755483	CMBE 3-3	1"	1"	1x 200-240	7.8-6.6	815	Schuko
97529690	-	CMBE 3-3	1"	1"	1x 200-240	7.8-6.6	815	AUS
97529691	-	CMBE 3-3	1"	1"	1x 200-240	7.8-6.6	815	USA
97529692	97755484	CMBE 3-3	1"	1"	1x 200-240	7.8-6.6	815	-
97529693	97755485	CMBE 3-4	1"	1"	1x 200-240	7.8-6.6	1050	Schuko
97529694	-	CMBE 3-4	1"	1"	1x 200-240	7.8-6.6	1050	AUS
97529695	-	CMBE 3-4	1"	1"	1x 200-240	7.8-6.6	1050	USA
97529696	97755486	CMBE 3-4	1"	1"	1x 200-240	7.8-6.6	1050	-
97529697	97755487	CMBE 5-3	1"	1 1/4"	1x 200-240	7.8-6.6	1300	Schuko
97529698	-	CMBE 5-3	1"	1 1/4"	1x 200-240	7.8-6.6	1300	AUS
97529699	-	CMBE 5-3	1"	1 1/4"	1x 200-240	7.8-6.6	1300	USA
97529700	97755488	CMBE 5-3	1"	1 1/4"	1x 200-240	7.8-6.6	1300	-

\* English or EU refers to languages in the instruction.

### Materials

Component	Material
Terminal box	Composite PC/ASA and silumin (Alu)
Stator housing	Silumin (Alu)
Fan cover	Composite PBT/PC
Pump housing	Stainless steel EN 1.4301/AISI 304
Shaft and impeller	Stainless steel EN 1.4301/AISI 304
Flange	Cast iron

### Thermal protection

CME Booster pumps require no external motor protection. The MGE motor incorporates thermal protection against slow overloading and blocking (IEC 34.11: TP 211).

**97550802 1110**  
Repl. 97550802 0510

**GB**

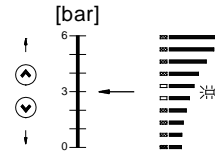
ECM: 1067704

### Type key

Example	CMBE 1 - 4 - I - K - A - C - D
<b>Type range</b> CMBE: CM Booster with integrated frequency converter	
<b>Rated flow</b> Rated flow at 50 Hz [m <sup>3</sup> /h]	
<b>Number of impellers</b>	
<b>Materials in contact with pumped liquid</b> I: Sleeve: EN 1.4301/AISI 304 Impellers/chambers - EN 1.4301/AISI 304	
<b>Supply voltage</b> K: 1 x 200-240 V, MGE motor	
<b>Motor information</b> A: Standard motor (IP55)	
<b>Mains cable and plug</b> A: 1.5 m cable with Australian plug B: 1.5 m cable with US plug C: 1.5 m cable with Schuko plug D: 1.5 m cable without plug	
<b>Controller</b> D: Integrated frequency converter	

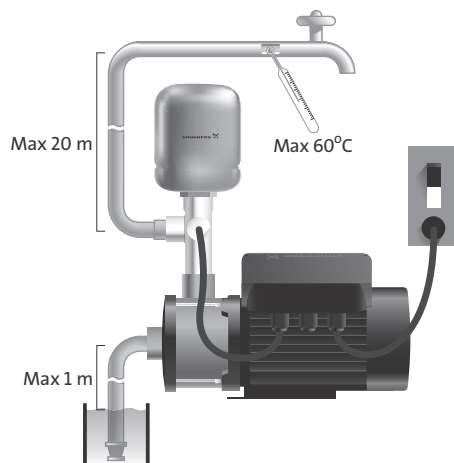
### Control panel

The CME Booster pumps can be operated manually by means of the control panel.



Set the desired setpoint by pressing button ☉ or ☺. The light fields on the control panel will indicate the setpoint set. Continuously pressing button ☹ will stop the pump.

### Installation



Subject to alterations.

The name Grundfos, the Grundfos logo, and the payoff Be–Think–Innovate are registered trademarks owned by Grundfos Management A/S or Grundfos A/S, Denmark. All rights reserved worldwide.